

MODENA



Built-in Catalog



MODENA

Copyright © 2022 MODENA. All rights reserved



MODENA

Our vision to become **a driving force towards an interconnected future** is what drives us here at **MODENA**.

Every day, we strive to make life easier for all our customers by creating sophisticated products that are simple to operate. Supported by a design studio in Italy, world-class R&D centers, and manufacturing facilities around the globe, we have earned the trust of customers worldwide as a provider of home and living solutions that are renowned for their aesthetic refinement, as well as their longevity and innovative technology.

MODENA



1960s

MODENA inception in Emilia Romagna-Italy.



1970s

Range expansion & beginning of export.



1980s

MODENA moves its global headquarter to Asia.



2010s

Range expansion into Professional, Energy, Mobility and beyond.

Inspired by the way you perform your daily activities.

We look to you as we innovate and create new, exciting products. Here, you will discover our best product line-up yet, including Nebula Glass hobs, multi-functional ovens, sterilizing chimney hoods, and more - the manifestations of our mission to make life better and easier for you.



MODENA

Beauty is to be experienced.

**We fully understand that good
design is thoughtful.**


Hence, we consistently draw inspiration from all corners of the world and work with various experts to add that special touch. As a result, we are proud to say that the products we craft not only look great but also serve a greater purpose.



Time is **essence** of **practicality.**

Between the hustle and bustle of modern life, it is important to reward yourself with moments of comfort. Therefore, we equip all our products with built-in features, designed to give you the ultimate peace and convenience. Our best-selling portable induction cooker, for example, comes in a lightweight design that enhances mobility, allowing you to cook whenever and wherever you please.





A commitment to provide timeless products.

**We want our products to serve you
for years to come.**

Therefore, we always design our home appliances and professional kitchen equipments with durability and reliability in mind. We uphold timeless aesthetics and the use of superior materials to create products that can be passed down to future generations. Even after years have gone, We believe that our products will remain relevant and easily maintained for improved longevity.



MODENA

Professional

Elegant heavy-duty
solutions for a
fast-paced industry



Contents

Built-in

Hobs

Hoods

Oven

Microwave

Refrigerator

Dishwasher









MODENA

Hobs

MODENA



Gas Safety Technology

Ensures the safety of the cooker, as the thermocouple sensor immediately shuts off the gas flow once the cooking flame is extinguished.



Super Alloy Burner

Processed with isothermal forging at over 850°C, which increases durability and allows higher and faster heat convection.



One Hand Ignition

Lighter that is integrated with the knob that makes it easy to turn the stove on.



Freezone Technology

More flexibility by combining the cooking zone into one big space for placing the cooking pans



Sliding Touch

The touch panel gives a modern impression on the stove appearance and simplifies the operation and setting process.

Introducing

The First Nebula Glass Hob.

Elegant and built-to-last, our kitchen hob is made from the strongest material in our long history of producing kitchen appliances.



Touch Control System



Induction Technology

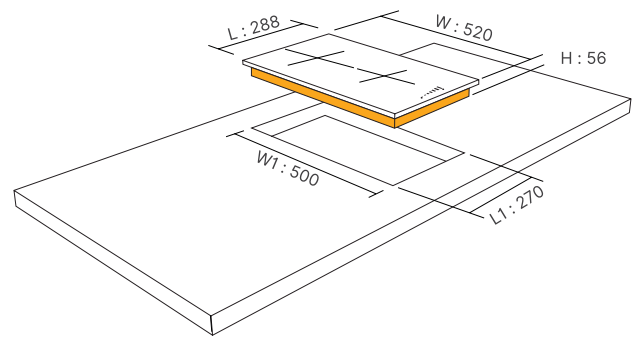


Automatic Turn-Off



Digital Timer

Hob Built-In Induction Hobs



BI 1325

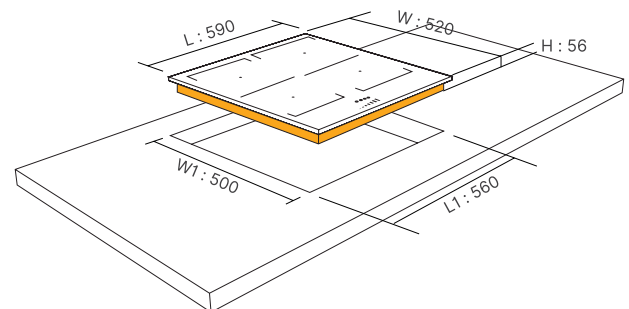
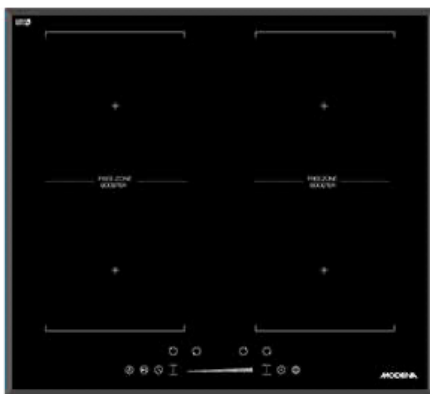
Schott Glass with Beveled Edge
288 × 520 × 56 mm
Diamond Black

Cut-Out Dimension 270 × 500 mm

ø 210 mm 2000 W x1

ø 160 mm 1500 W x 1

- 2 Quantity of Zones
- 9 Cooking Levels
- Slide Touch Control System
- Induction Technology
- Automatic Turn-Off
- Digital Timer
- Integrated Cooling System
- Residual Heat Indicator
- Child lock



BI 1625 F

Eurokera Glass with Beveled Edge
590 × 520 × 56 mm
Diamond Black

Cut-Out Dimension 560 × 500 mm

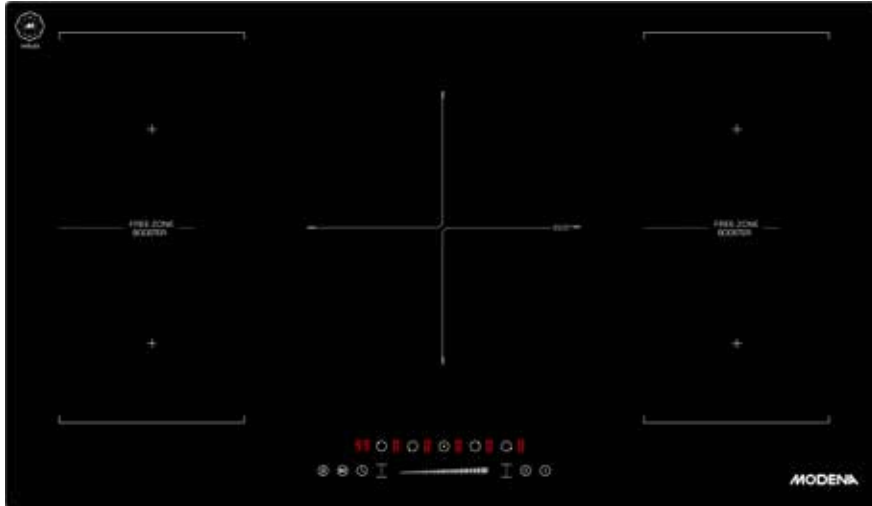
ø 190 mm 2000 W (2600 W w/ Booster) x 2

ø 190 mm 1500 W (2000 W w/ Booster) x 2

ø 400 × 200 mm Freezone 3000 W

(3600 W w/ Booster) x 2

- 2 Free Zones
- 9 Cooking Levels
- Slide Touch Control System
- Induction Technology
- Booster Control
- Automatic Turn-Off
- Digital Timer
- Integrated Cooling System
- Residual Heat Indicator
- Child lock



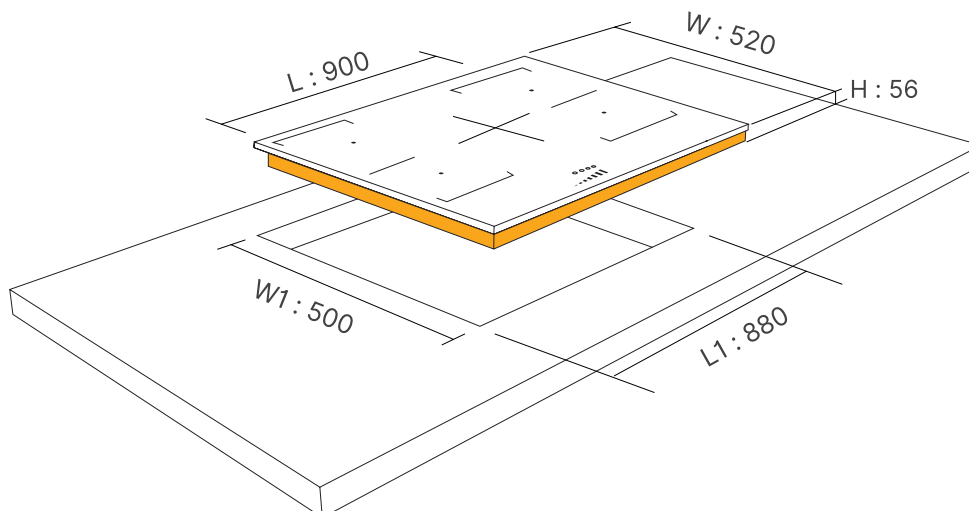
BI 0935 ^{FAM}

Nebula Ceramic Glass
900 × 520 × 56 mm
Diamond Black

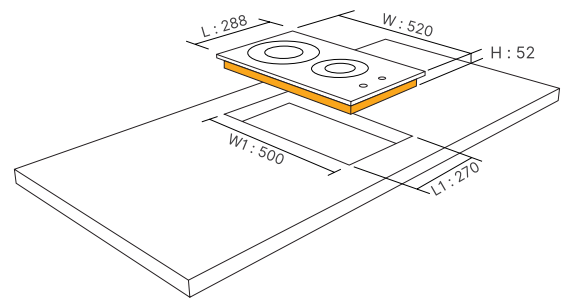
Cut-Out Dimension 880 × 500 mm

∅ 190 mm 2000 W (2600 W w/ Booster) x 2
∅ 190 mm 1500 W (2000 W w/ Booster) x 2
∅ 280mm 2300 W (3000 W w/ Booster) x 1

2 Free zone + 1 Zone
9 Cooking Levels
Slide Touch Control System
Induction Technology
Booster Control
Automatic Turn-Off
Digital Timer
Integrated Cooling System
Residual Heat Indicator
Child lock



Hob Built-In Vitroceramic Hobs



BC 1321 L

Eurokera Glass with Beveled Edge

288 × 520 × 52 mm

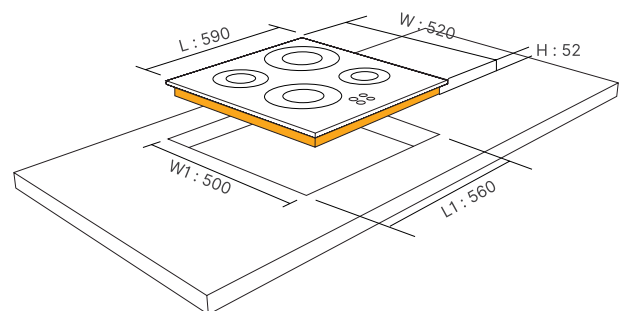
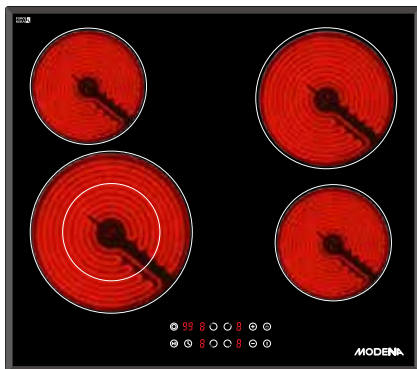
Diamond Black

Cut-Out Dimension 270 × 500 mm

∅ 165 mm 1200 W x 1

∅ 120-200 mm 1000/2000 W x 1

- 2 Quantity of Zones
- 9 Cooking Levels
- Touch Control System
- Infrared Technology
- Automatic Turn-Off
- Digital Timer
- Integrated Cooling System
- Residual Heat Indicator
- Child Lock



BC 1640 LAM

Eurokera Glass with Beveled Edge

590 × 520 × 52 mm

Diamond Black

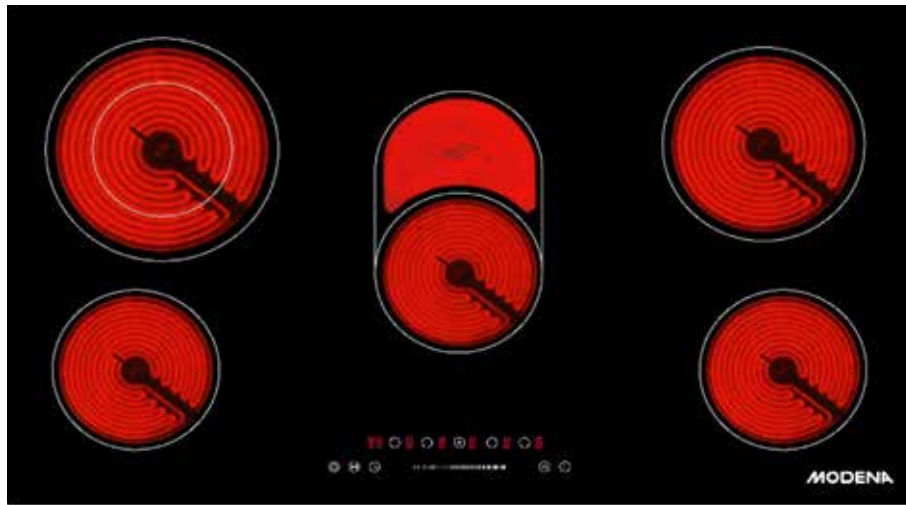
Cut-Out Dimension 560 × 500 mm

∅ 165 mm 1200 W x 2

∅ 200 mm 1800 W x 1

∅ 138-230 mm 1100 /2200 W x 1

- 4 Quantity of Zones
- 9 Cooking Levels
- Touch Control System
- Infrared Technology
- Automatic Turn-Off
- Digital Timer
- Integrated Cooling System
- Residual Heat Indicator
- Child Lock



BC 0955 LAM

Nebula Ceramic Glass

900 × 520 × 52 mm

Diamond Black

Cut-Out Dimension 880 × 500 mm

∅ 165 mm 1200 W x 2

∅ 200 mm 1800 W x 1

∅ 165-270 mm 1100/2000 W x 1

∅ 138-230 mm 1100/2000 W x 1

5 Quantity of Zones

9 Cooking Levels

Touch Control System

Infrared Technology

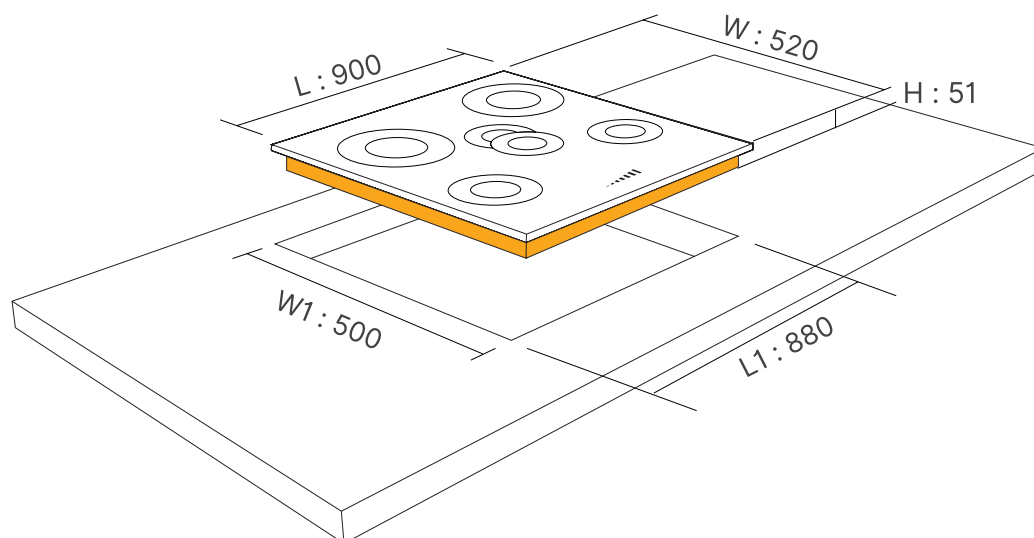
Automatic Turn-Off

Digital Timer

Integrated Cooling System

Residual Heat Indicator

Child Lock





BE 1325

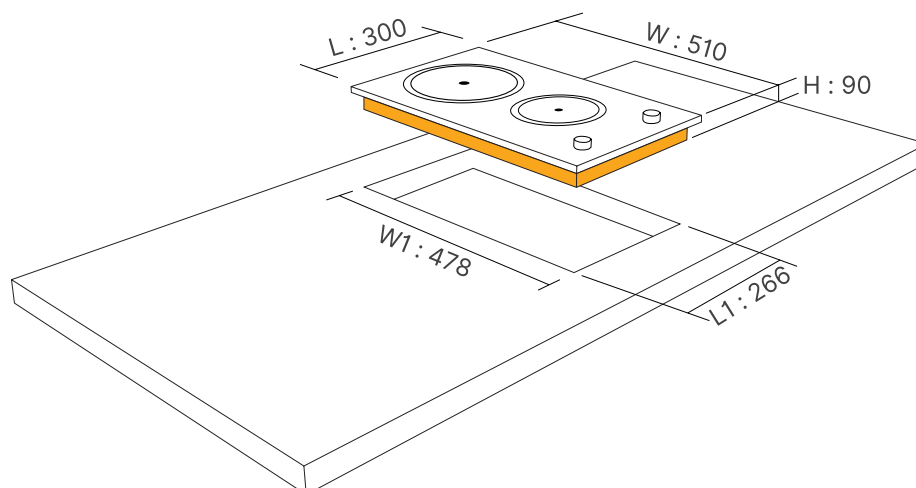
Nebula Tempered Glass Top Plate
300 × 510 × 90 mm
Diamond Black

Cut-Out Dimension 266 × 478 mm

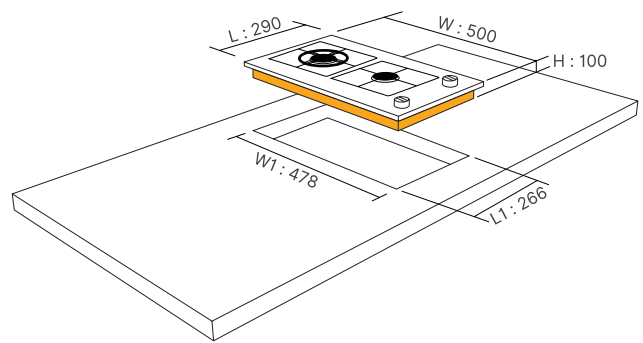
∅ 180 mm 2000 W x 1

∅ 110 mm 600 W x 1

2 Heating Plates
Mechanical Control
6 Power Levels
Residual Heat Indicator



Hob Built-In Gas Hobs



BH 3324

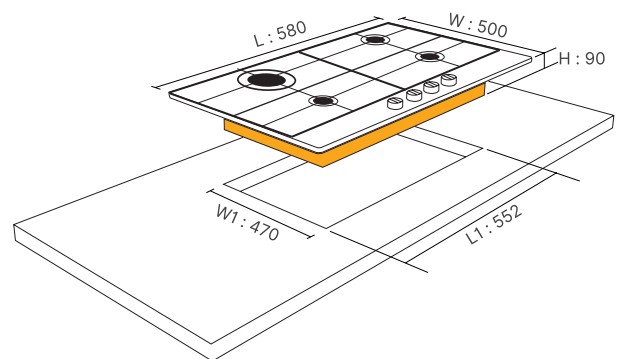
Stainless Steel Panel
290 × 500 × 100 mm
Brilliant Stainless Steel

Cut-Out Dimension 266 × 478 mm

Ø 3-Ring Burner 3400 W x 1

Ø Medium Burner 1880 W x 1

2 Gas Burners
Eco Gas System
Gas Safety Technology
One Hand Ignition
Cast Iron Grid
Extra Nozzle for Natural Gas



BH 3649^{STM}

Stainless Steel Panel
580 × 500 × 90 mm
Brilliant Stainless Steel

Cut-Out Dimension 552 × 470 mm

Ø 3-Ring Burner 3400 W x 1

Ø Medium Burner 1880 W x 2

Ø Small Burner 900 W x 1

4 Gas Burners
Eco Gas System
Gas Safety Technology
One Hand Ignition
Cast Iron Grid
Extra Nozzle for Natural Gas



BH 3958 SAM

Stainless Steel Panel

860 × 500 × 90 mm

Brilliant Stainless Steel

Cut-Out Dimension 827 × 470 mm

∅ 3-Ring Burner 3400 W x 1

∅ Large Burner 2400 W x 1

∅ Medium Burner 1880 W x 2

∅ Small Burner 900 W x 1

5 Gas Burners

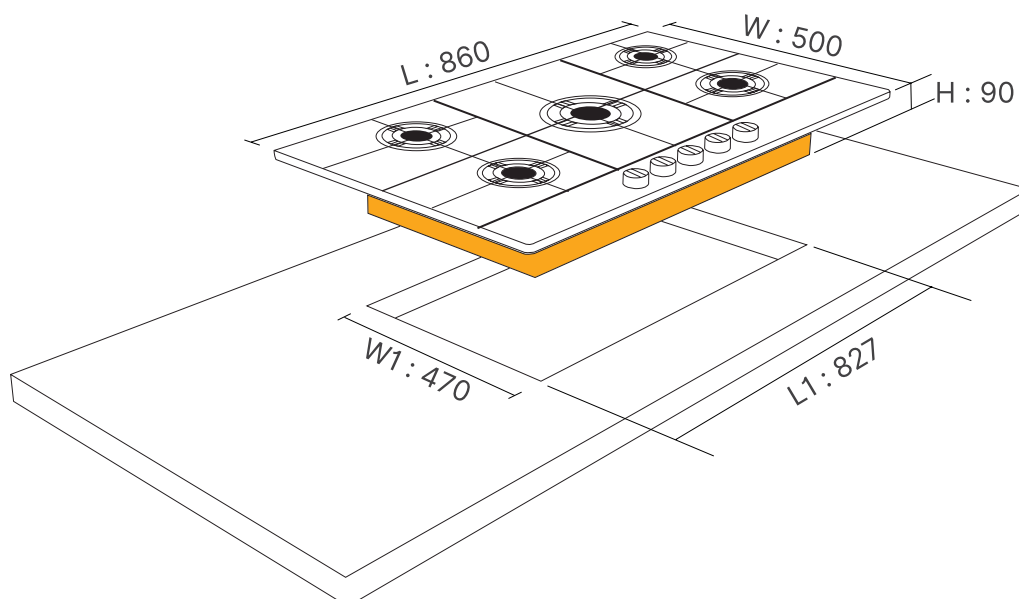
Eco Gas System

Gas Safety Technology

One Hand Ignition

Cast Iron Grid

Extra Nozzle for Natural Gas





BH 1325

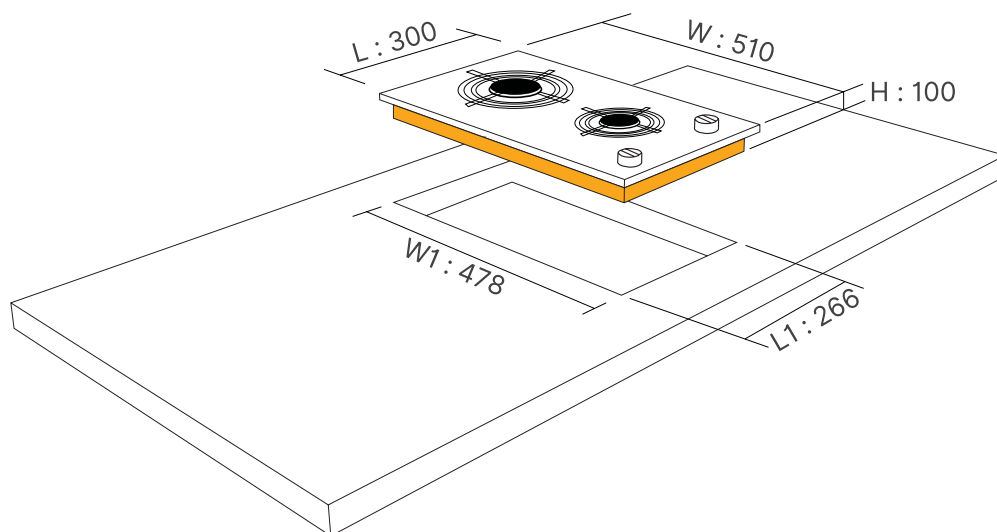
Nebula Tempered Glass
300 × 510 × 100 mm
Diamond Black

Cut-Out Dimension 266 × 478 mm

∅ 3-Ring Burner 3400 W x 1

∅ Medium Burner 1880 W x 1

- 2 Gas Burners
- Eco Gas System
- Gas Safety Technology
- One Hand Ignition
- Cast Iron Grid
- Extra Nozzle for Natural Gas





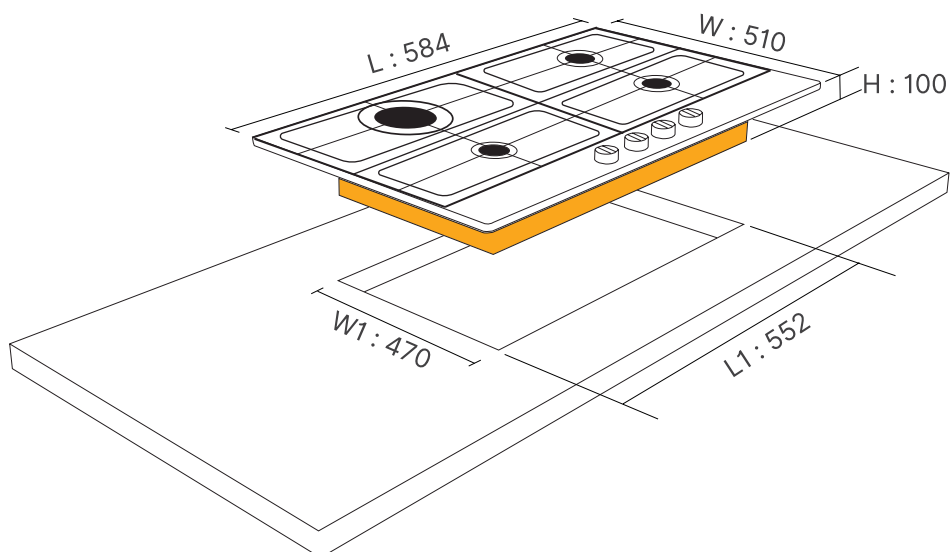
BH 2648 LBM

Nebula Tempered Glass
584 × 510 × 100 mm
Diamond Black

Cut-Out Dimension 552 × 470 mm

- ∅ 3-Ring Burner 3400 W x 1
- ∅ Medium Burner 1880 W x 2
- ∅ Small Burner 900 W x 1

- 4 Gas Burners
- Eco Gas System
- Gas Safety Technology
- One Hand Ignition
- Cast Iron Grid
- Extra Nozzle for Natural Gas



Hob Built-In Gas Hob



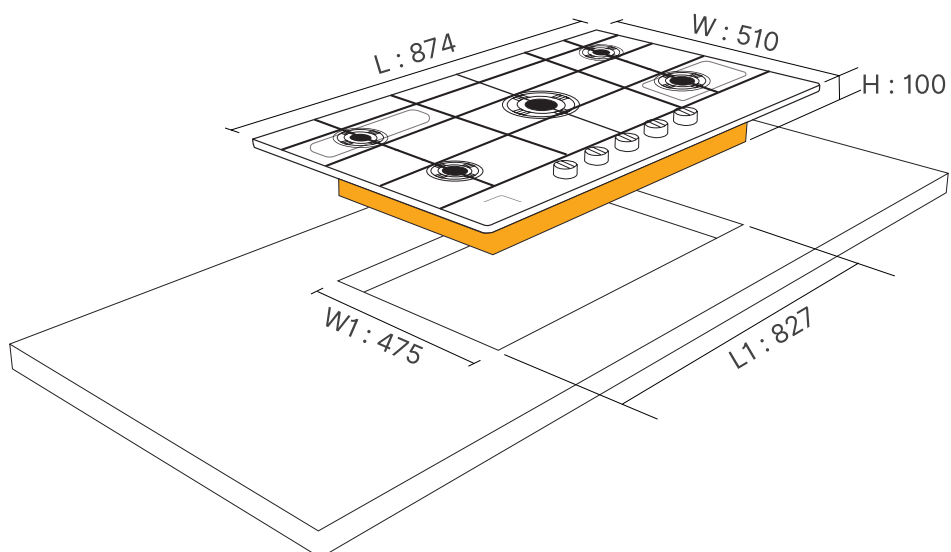
BH 2958 LBM

Nebula Tempered Glass
874 × 510 × 100 mm
Diamond Black

Cut-Out Dimension 827 × 475 mm

- ∅ 3-Ring Burner 3400 W x 1
- ∅ Large Burner 2400 W x 1
- ∅ Medium Burner 1880 W x 2
- ∅ Small Burner 900 W x 1

- 5 Gas Burners
- Eco Gas System
- Gas Safety Technology
- One Hand Ignition
- Cast Iron Grid
- Extra Nozzle for Natural Gas







MODENA



MODENA

MODENA

Hoods

MODENA





Aluminum Cassette Filter

This grease filter system consists of five aluminum layers, for optimal filtration resulting in clean air.



Touch Control System

Set and operate your hood with ease through this touch control system, and enjoy a modern and streamlined look kitchen.



Peritraction System

A more focused air suction design for faster ventilation, keeping the kitchen clean and smoke-free while you cook.



Germinator System

Gives out active ions which effectively kill germs and bacteria and cleans dirty air.



LED Lamp

Warm, energy-efficient lighting for optimal illumination in the kitchen.



Vit-C Filter

A filter made of special materials impregnated with vitamin C, resulting in fresh and clean kitchen air.



Carbon Active Filter

The filter contains active carbon particles that absorb smoke and neutralize unpleasant odors.



Exhaust & Recirculating System

A dual system that can be adjusted to your kitchen installation method, using either an exhaust or recirculation system.

Hood

Cool Blast Hood Technology™

Enjoy a pleasant cooking experience with our innovative hood technology, which works by absorbing hot air and steam as you cook and replacing it with cool, crisp air.



Smart
Reminder



Germinator
System

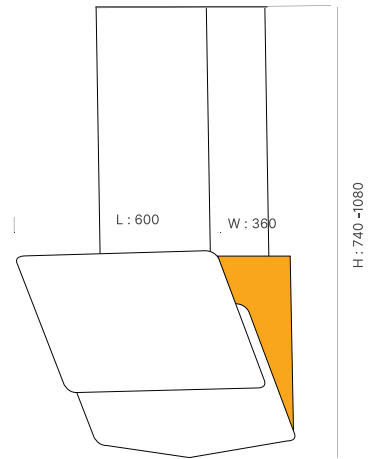


Vit-C
Filter



Carbon Active
Filter

Hood Wall Type



360° Air Hood – CX 6761

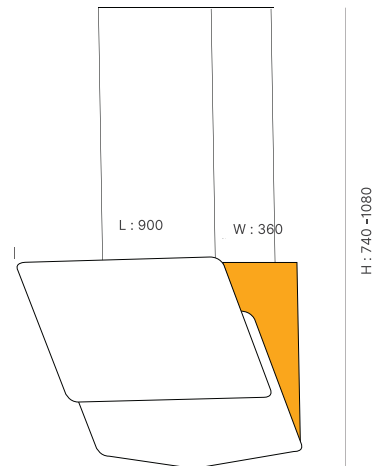
Tempered Glass
600 × 360 × 740 -1080 mm
Diamond Black

New Innovation Hoods – Wall Type

Turbo Motor 1 × 250 W
LED Lamp 2 × 0.5 W

Cool Blast
Double Exhaust System
3 Speed Levels
Touch Control System
Hand Gesture System
Suction Power 750 m3/h

Aluminium Filter
Carbon Filter
2 Pcs Chimney
Extra Extensible Hose
Outlet Diameter 150 mm



360° Air Hood – CX 9761

Tempered Glass
900 × 360 × 740 - 1080 mm
Diamond Black

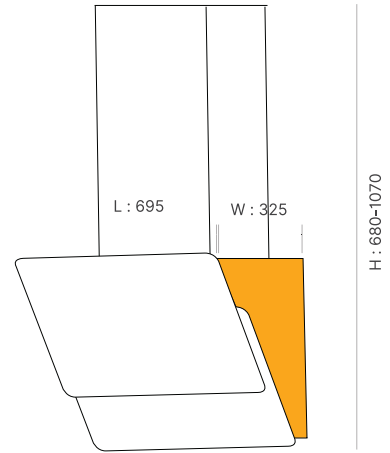
New Innovation Hoods – Wall Type

Turbo Motor 1 × 250 W
LED Lamp 2 × 0.5 W

Cool Blast
Double Exhaust System
3 Speed Levels
Touch Control System
Hand Gesture System
Suction Power 750 m /h

Aluminium Filter
Carbon Filter
2 Pcs Chimney
Extra Extensible Hose
Outlet Diameter 150 mm

Hood Wall Type



CX 7712 L

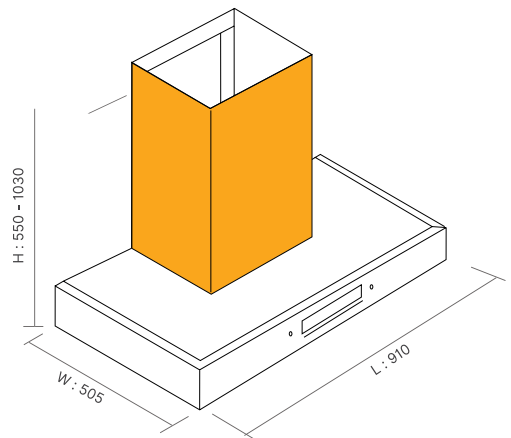
Galvanized Steel Material with Tempered Glass
695 × 325 × 680 - 1070 mm
Diamond Black

Wall Type

Turbo Motor 1 × 130 W
LED Lamp 2 × 1 W

3 Speed Levels
Push Button Control System
Suction Power 700 m³/h
Cassette Aluminum Filter

Carbon Filter
2 Pcs Black Painted Chimney
Extra Extensible Hose
Outlet Diameter 150 mm



CX 9156

Stainless Steel with Tempered Glass
910 × 505 × 550 - 1030 mm
Diamond Black

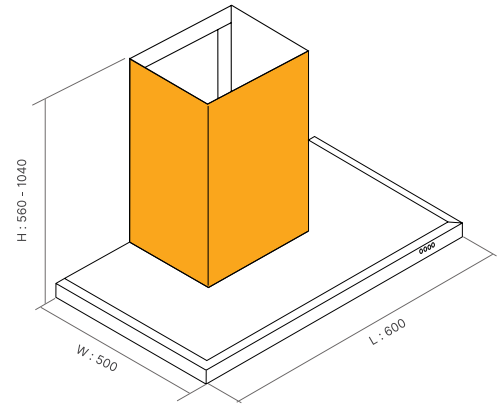
Wall Type

Turbo Motor 1 × 300 W
LED Lamp 2 × 2 W

Germinator Technology (Ionizer)
Peritraction System
Cleaning Reminder
Heat Sensor
LCD Display
Touch Control System
3 Speed Levels + Turbo
Cassette Aluminum Filter

Vitamin C Filter
Carbon Filter
Oil Collector
2 Pcs Stainless Steel Chimney
Extra Extensible Hose
Outlet Diameter 150 mm

Hood Wall Type



CX 6150

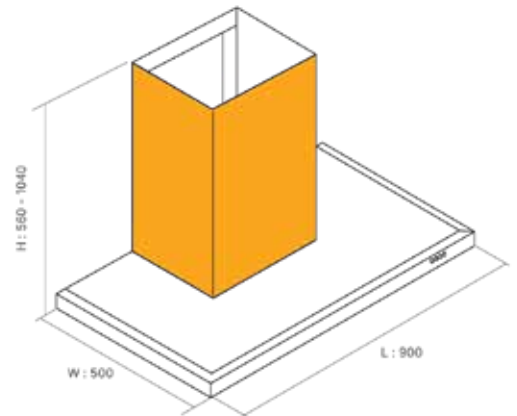
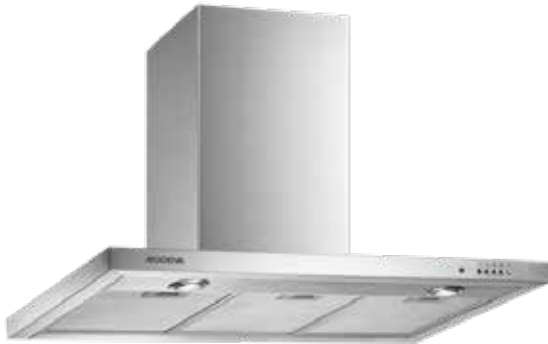
Stainless Steel
600 × 500 × 560 - 1040 mm
Brilliant Stainless Steel

Wall Type

Turbo Motor 1 × 200 W
LED Lamp 2 × 0.5 W

Germinator Technology (Ionizer)
3 Speed Levels
Push Button Control System
Suction Power 900 m³/h
Cassette Aluminum Filter
Vitamin C Filter

Carbon Filter
Oil Collector
2 pcs Stainless Steel Chimney
Extra Extensible Hose
Outlet Diameter 150 mm



CX 9150

Stainless Steel
900 × 500 × 560 - 1040 mm
Brilliant Stainless Steel

Wall Type

Turbo Motor 1 × 200 W
LED Lamp 2 × 0.5 W

Germinator Technology (Ionizer)
3 Speed Levels
Push Button Control System
Suction Power 1000 m³/h
Cassette Aluminum Filter
Vitamin C Filter

Carbon Filter
Oil Collector
2 pcs Stainless Steel Chimney
Extra Extensible Hose
Outlet Diameter 150 mm

Hood Slim Type



SX 6001 S

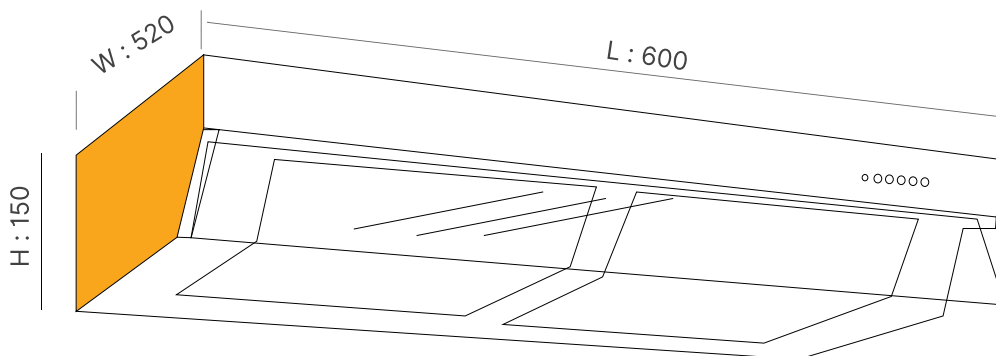
Metal Body
600 × 520 × 150 mm
Stainless Grey Painted

Slim Type

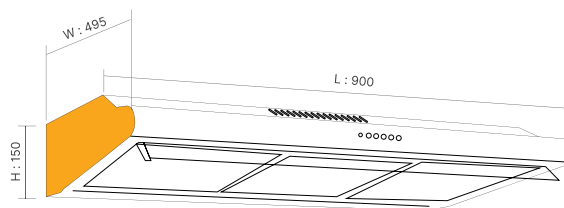
Motor 1 × 125 W
Bulb 1 × 40 W

Germinator Technology (Ionizer)
3 Speed Levels
Push Button Control System
Suction Power 400 m³/h

Cassette Aluminium Filter
Carbon Filter
Vitamin C Filter
Outlet Diameter 120 mm



Hood Slim Type



SX 9502 V

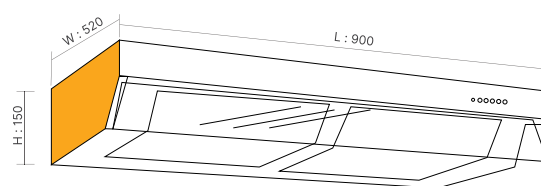
Metal Body
900 × 495 × 150 mm
Brilliant Stainless Steel

Slim Type

Motor 2 × 125 W
Bulb 2 × 40 W

Germinator Technology (Ionizer)
3 Speed Levels
Push Button Control System
Suction Power 520 m³/h

Cassette Aluminium Filter
Carbon Filter
Vitamin C Filter
Outlet Diameter 120 mm



SX 9002 S

Metal Body
900 × 520 × 150 mm
Stainless Grey Painted

Slim Type

Motor 2 × 125 W
Bulb 2 × 40 W

Germinator Technology (Ionizer)
3 Speed Levels
Push Button Control System
Suction Power 520 m³/h

Cassette Aluminium Filter
Carbon Filter
Vitamin C Filter
Outlet Diameter 120 mm

MODENA



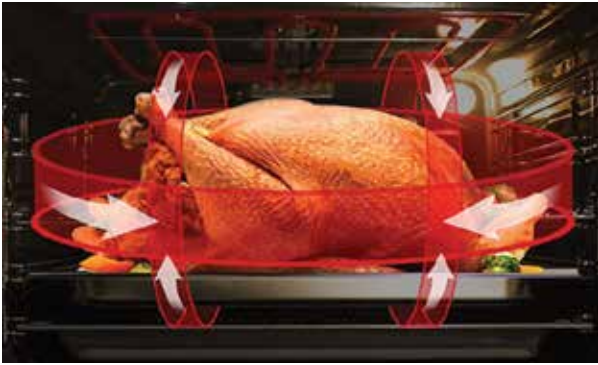


MODENA

Ovens & Microwave

MODENA





360° Circulation Heat

The convection fire heating system that can be programmed above and below, makes the oven's performance to be maximal.



Ultraflow Technology

Prevents heat from reaching the outside surface of the oven, by automatically switching on the cooling system when the oven turns on.



Triple Glass Door

A sturdy triple glass oven door ensures that the outer oven door surface stays cool.



Timer

Equipped with a 60-minute timer for handy reminders while cooking.



TFT Control System

A new panel control for quick and easy operation.

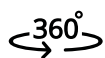
Oven

Multi-Function Oven Technology™

A refined range of multi-tasking ovens, each type is equipped with the latest innovations in cooking technology, enhancing your kitchen with a simple yet elegant look, even in smaller spaces.



Auto-Cooking
Programs



360
Circulation Heat



Ultraflow
Technology



Steam
Function

Oven Built-In Electric Oven & Microwave



BO 7838

Glass

595 × 610 × 595 mm

Diamond Black

Electric Oven

Cut-Out Dimension 560 × 550 × 580 mm

Capacity : 80 Liters

Electric Lower Heater 1200 W

Electric Back Heater 1800 W

Electric Grill 1200 W + 2400 W

16 Multifunction Programs

Convection Fan

3 Layer Glass

Side Rack

Rotisserie

Digital Timer

TFT Control Panel + Electric Knob
System

Adjustable Thermostat

Ultraflow Cooling Technology

Oven Light

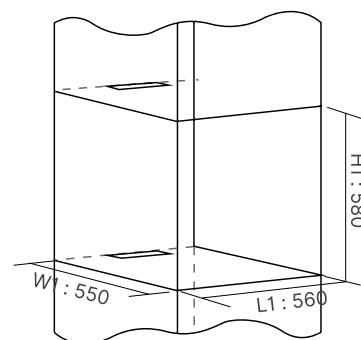
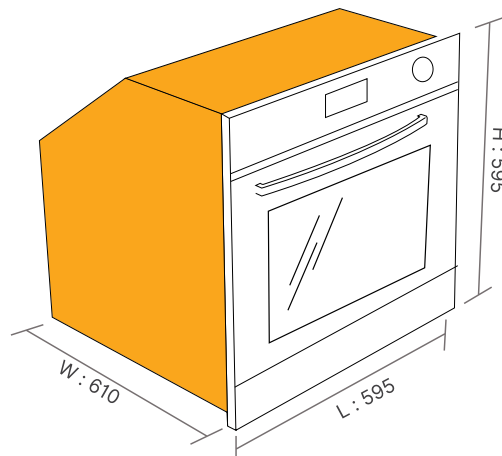
Meat Probe

1 Oven Rack

1 Oven Tray

1 Tray Handle

1 Deep Tray



Oven Built-In Electric Oven & Microwave



BO 6633

Glass

595 × 610 × 595 mm

Diamond Black

Electric Oven

Cut-Out Dimension 560 × 550 × 580 mm

Capacity : 67 Liters

Electric Lower Heater 1200 W

Electric Back Heater 2100 W

Electric Grill 1000 + 1900 W

11 Multifunction Programs

Convection Fan

3 Layer Glass

Side Rack

Rotisserie

Digital Timer

Full Touch Control System

Adjustable Thermostat

Ultraflow Cooling Technology

Oven light

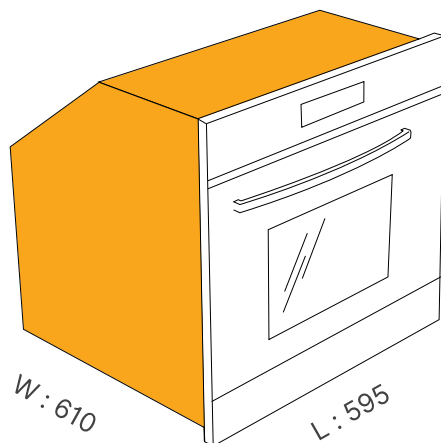
Soft Closing Door

2 Oven Racks

1 Oven Tray

1 Tray Handle

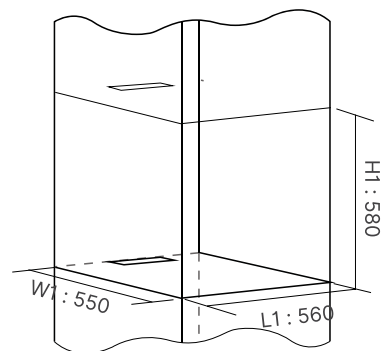
Steam Oven Tray



H : 595

W : 610

L : 595



W1 : 550

L1 : 560

H1 : 580

Oven Built-In Electric Oven & Microwave



BO 4630

Glass & Stainless Steel

595 × 610 × 595 mm

Diamond Black + Brilliant Stainless Steel

Electric Oven

Cut-Out Dimension 560 × 550 × 580 mm

Capacity : 67 Liters

Electric Lower Heater 1200 W

Electric Back Heater 2100 W

Electric Grill 1000 + 1900 W

8 Multifunction Programs

Convection Fan

3 Layer Glass

Side Rack

Rotisserie

Digital timer

Knob + Button Control System

Adjustable Thermostat

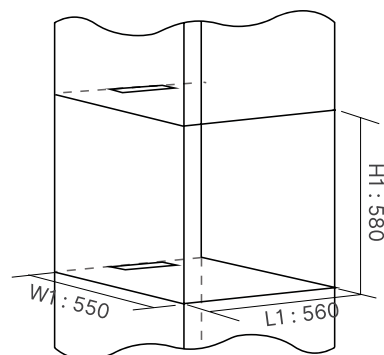
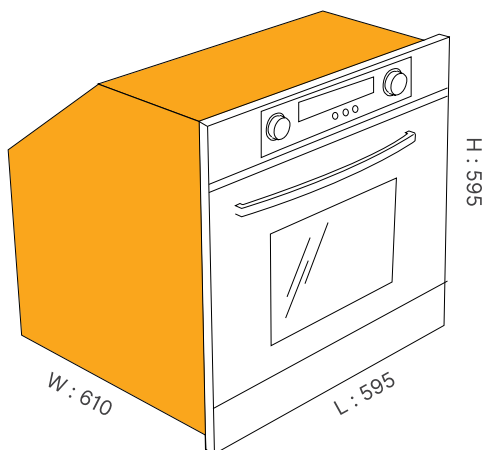
Ultraflow Cooling Technology

Oven Light

2 Oven Racks

1 Oven Tray

1 Tray Handle



Oven Built-In Electric Oven & Microwave



BO 2633

Glass

595 × 610 × 595 mm

Diamond Black

Electric Oven

Cut-Out Dimension 560 × 550 × 580 mm

Capacity : 56 Liters

Electric Lower Heater 1200 W

Electric Back Heater 2100 W

Electric Grill 1000 + 1900 W

8 Multifunction Program

Convection Fan

3 Layer Glass

Side Rack

Rotisserie

Mechanical Timer

Knob Control System

Adjustable Thermostat

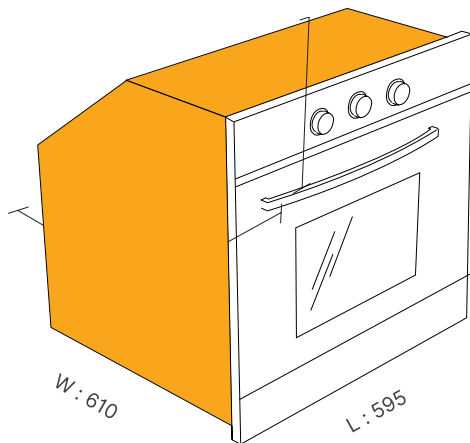
Ultraflow Cooling Technology

Oven Light

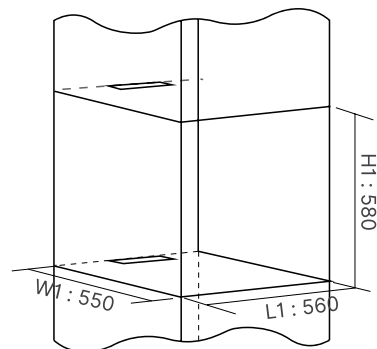
2 Oven Racks

1 Oven Tray

1 Tray Handle



H : 595



W1 : 550

L1 : 560

H1 : 580

Oven Built-In Electric Oven & Microwave



BO 9130 SAM

Stainless Steel

895 × 568 × 475 mm

Brilliant Stainless Steel

Electric Oven

Cut-Out Dimension 860 × 550 × 472 mm

Capacity : 110 Liters

Electric Lower Heater 1300 W

Electric Back Heater 2800 W

Electric Grill 1050 + 2000 W

9 Multifunction Programs

Convection Fan

3 Layer Glass

Side Rack

Rotisserie

Digital Timer

Knob + Button Control System

Adjustable Thermostat

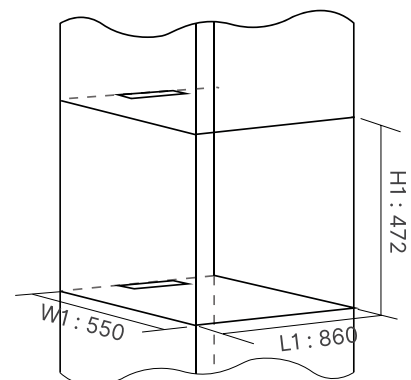
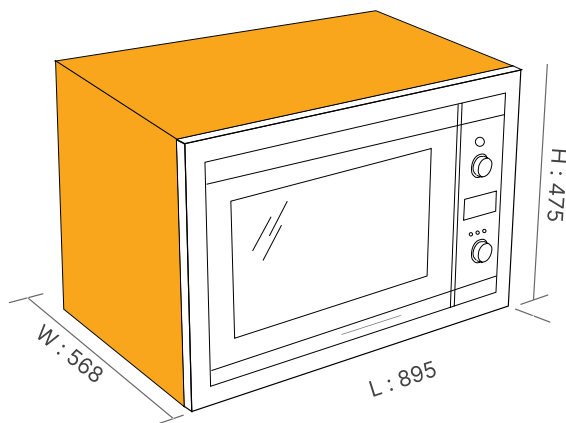
Ultraflow Cooling Technology

Oven light

1 Oven Rack

1 Oven Tray

1 Small Rack



Oven Built-In Electric Oven & Microwave



MG 2517 WAM

Glass & Stainless Steel

595 × 401 × 388 mm

Pearl White + Brilliant Stainless Steel

Built-in Microwave Oven

Cut-Out Dimension 560 × 500 × 380 mm

Capacity : 25 Liters

Rated input (Microwave) 1450 W

Rated output (Microwave) 900 W

Microwave + Grill

Stainless Steel Cavity

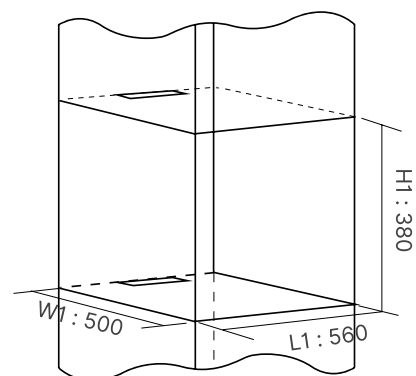
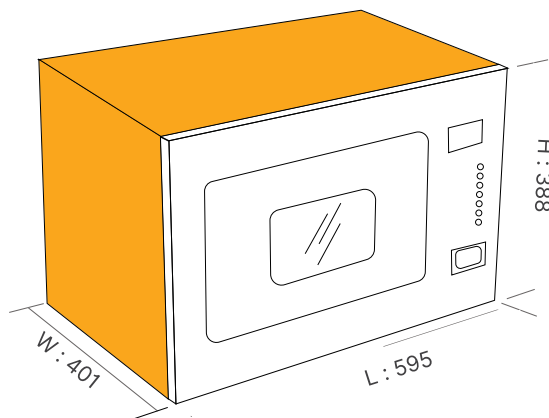
315 mm Glass Turntable

8 Auto Menu

Defrost by Weight/Time

Kitchen Timer Cooking End Signal

Child Lock





MODENA

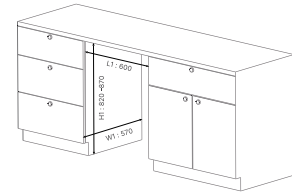
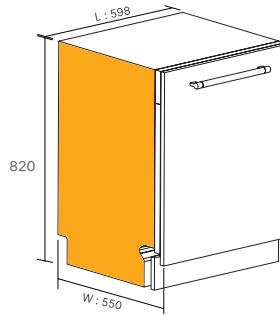
06°C
-23°C
FRIDGE
FREEZER
NET WEIGHT
GROSS WEIGHT



A black and white photograph of a refrigerator's control panel. A hand is pointing at a button on the left side of the panel. The panel features two digital displays: the left one shows '0°C' and the right one shows '-25°C'. To the right of the displays are several buttons, including one with a snowflake icon. The refrigerator door is open, revealing a white interior with shelves and a crisper drawer. The text 'Refrigerator & Dishwasher' is overlaid in the center of the image.

Refrigerator & Dishwasher

Built-in Refrigerator and Dishwasher



WP 9153 ^{WVM}

Built-in Dishwasher
598 × 550 × 820 mm
Pearl White

Cut-Out Dimension 600 × 570 x (820 - 870)

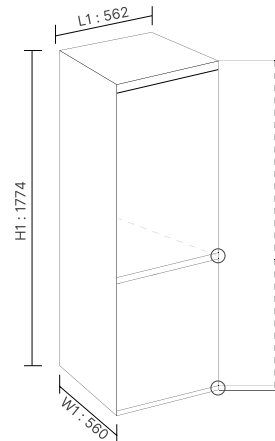
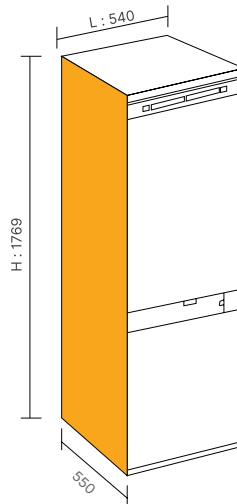
Power Input 1900 W

Energy Consumption 0.92 kWh/ Cycle

Water Consumption 12 L

Ultra AeroDry
15 Place Settings
5 Programs
3 Spray Arms
3 Layers of Basket
Electric Button Control

LED Display
1 - 19 h Delay Start
Half Load Function
Salt & Rinse Aid Indicator
Interior Light
Buzzer



RF 2927 ^{WAM}

Built-in Refrigerator
540 × 550 × 1769 mm
Pearl White

Cut-Out Dimension 562 × 560 × 1774 mm

Defrost Power 180 W

Refrigerator Temperature 0 °C – 10 °C

Freezer Temperature -18 °C

Total Capacity 254 L
Refrigerator Capacity 177 L
Total No Frost
Smart Digital Control
Multiflow Cooling System
Transparent Glass Shelf

Door Alarm
LED Light
Fresh Keeper
Hettich™ Hinge



Interested in learning more about our product range?

Visit our website

www.modena.com

The best place for your home and living solutions.
We are experts in cooking, cleaning, cooling, and beyond,
as we are passionate about creating products that can make your life better and easier.

MODENA



كتالوج الأجهزة المدمجة